

ASB 18V

HandyMaster Hammer / Drill



SERVICE

Tool service and maintenance must be performed only by qualified repair personnel.

When servicing a tool, only use identical replacement parts available from FEIN.

Repairs on FEIN Power Tools required the use of special tools (pulling devices and bearing press). Authorized repair centers have trained repair technicians and equipment necessary to perform these repairs. Service or repairs performed by unqualified persons could result in operator injury.

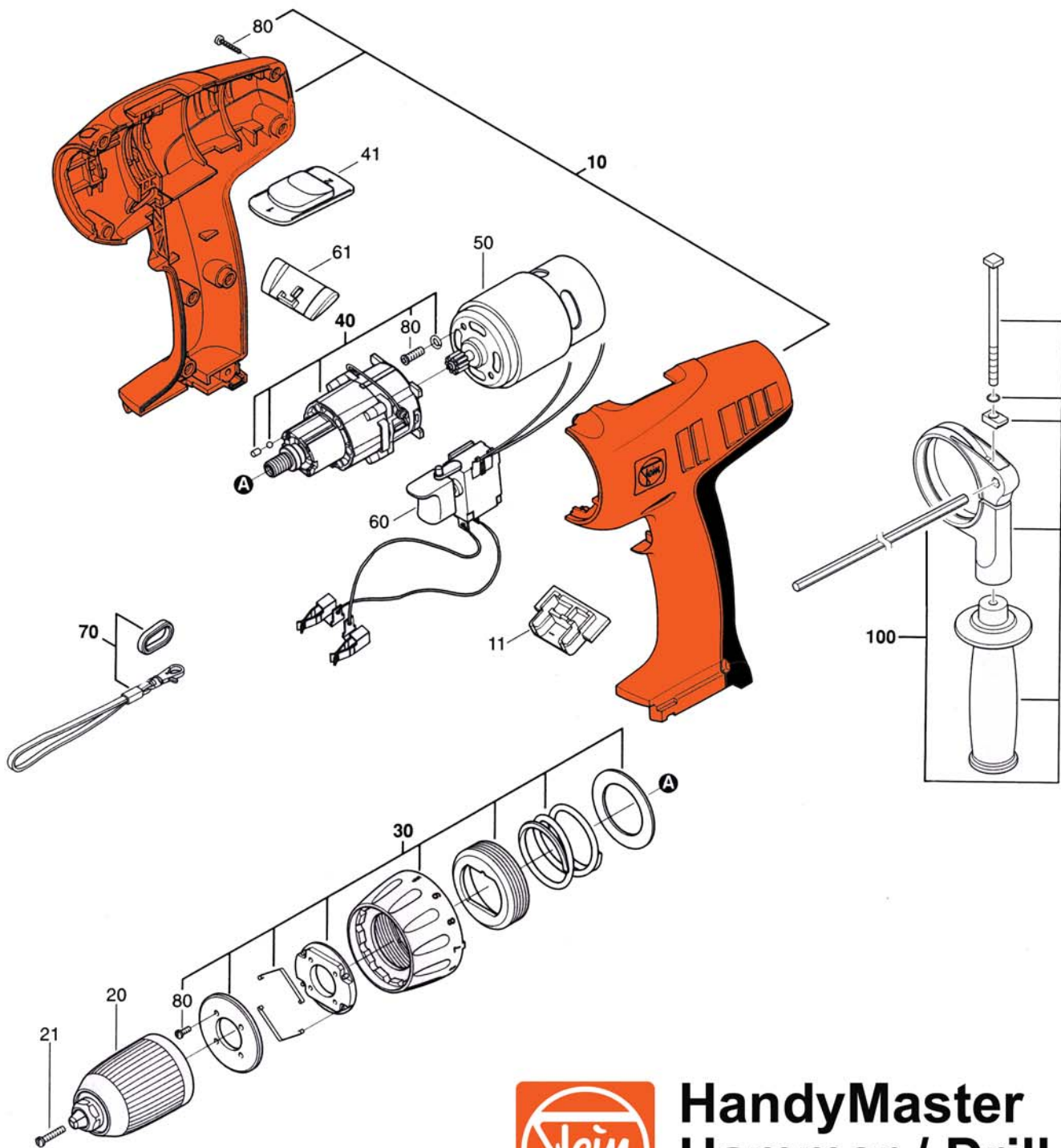
For the location of the repair center near you, please call 1-800-441-9878. Monday thru Friday, 9AM to 5PM EST. Or, look on our web site at www.feinus.com and follow the link to "Authorized Warranty Repair Centers"

**FEIN Power Tools
1030 Alcon Street
Pittsburgh, PA 15220**

Phone: 412-922-8886 Fax: 412-922-8767 Toll Free: 1-800-441-9878

June 20, 2004





HandyMaster
Hammer / Drill
 Model: ASB 18V

Fein Power Tools

ASB 18V - Parts List

<u>Item</u>	<u>Item Number</u>	<u>Description</u>	<u>Reqd.</u>	
10	3-13-33-075-01-0	MOTOR HOUSING	1	_____
11	3-13-33-080-00-2	COVER	1	_____
20	6-32-05-034-01-8	CHUCK	1	_____
21	3-13-33-059-00-2	SCREW	1	_____
30	3-13-33-066-01-4	CLUTCH	1	_____
40	3-13-33-062-01-5	GEARBOX ASSEMBLY	1	_____
41	3-13-33-060-00-4	COVER	1	_____
50	3-13-33-069-01-0	MOTOR	1	_____
60	3-13-33-067-01-8	SWITCH	1	_____
61	3-13-33-053-00-1	COVER	1	_____
70	3-13-33-054-01-8	LANYARD SET	1	_____
80	3-13-33-070-01-2	SCREW	1	_____
100	3-13-33-071-01-1	HANDLE ASSEMBLY	1	_____